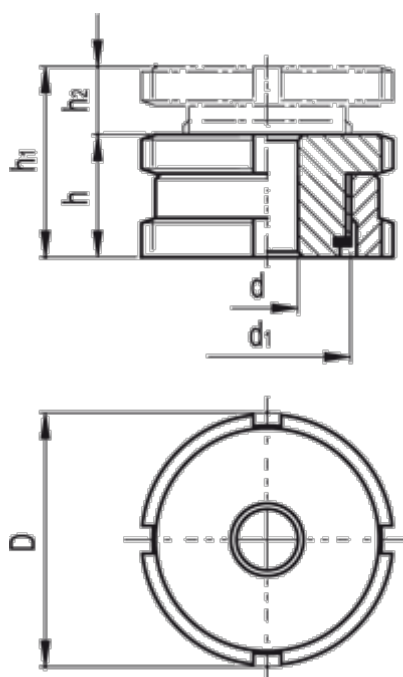


Article number: 20665270A
Description: E+G Levelling set
GN 350.1-80-26-NI

Measures



C-spanner DIN 1810 = A80-90
d = 26.0
D = 80
d1 = M60x2
For screw = M24
h = 38
h1 = 50
h2 = 12

Max static load (N) = 323.0
Static preload (N) = 195.3
Weight (g) = 1135